

LITE050

500W SLIM TOWER CHASSIS

**COMPACT IN THE OUTSIDE,
VERSATILE IN THE INSIDE**

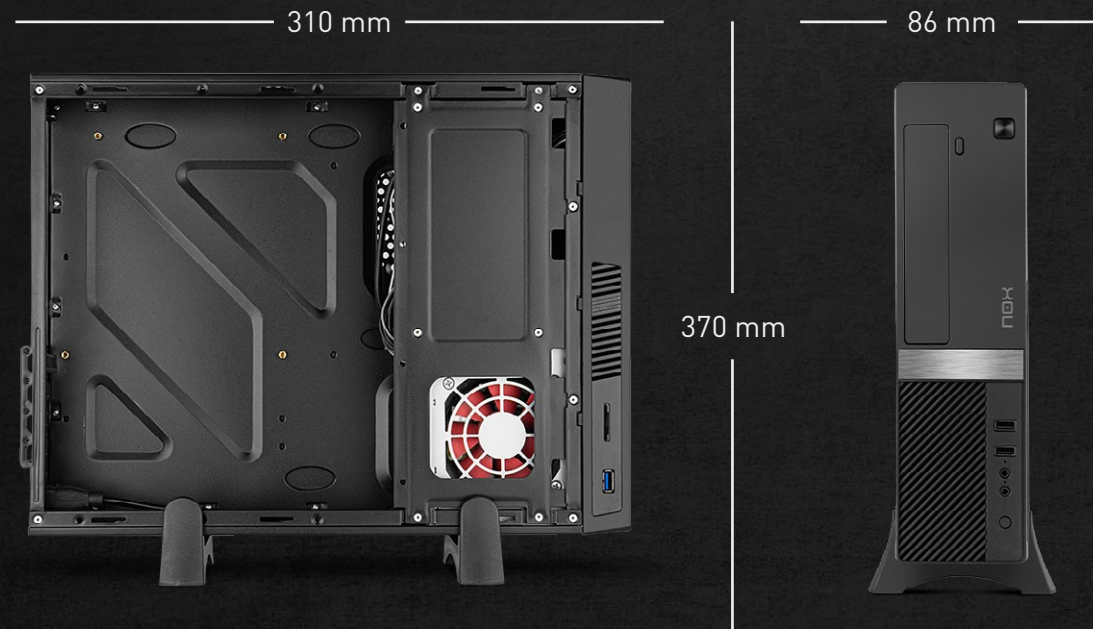
LITE050 is a compact chassis with multiple ventilation options and equipment compatibilities for home or professional use.

OUTER CHARACTERISTICS

Dimensions

INNER CHARACTERISTICS

SPECIFICATIONS



LITE050

500W SLIM TOWER CHASSIS

COMPACT IN THE OUTSIDE,
VERSATILE IN THE INSIDE

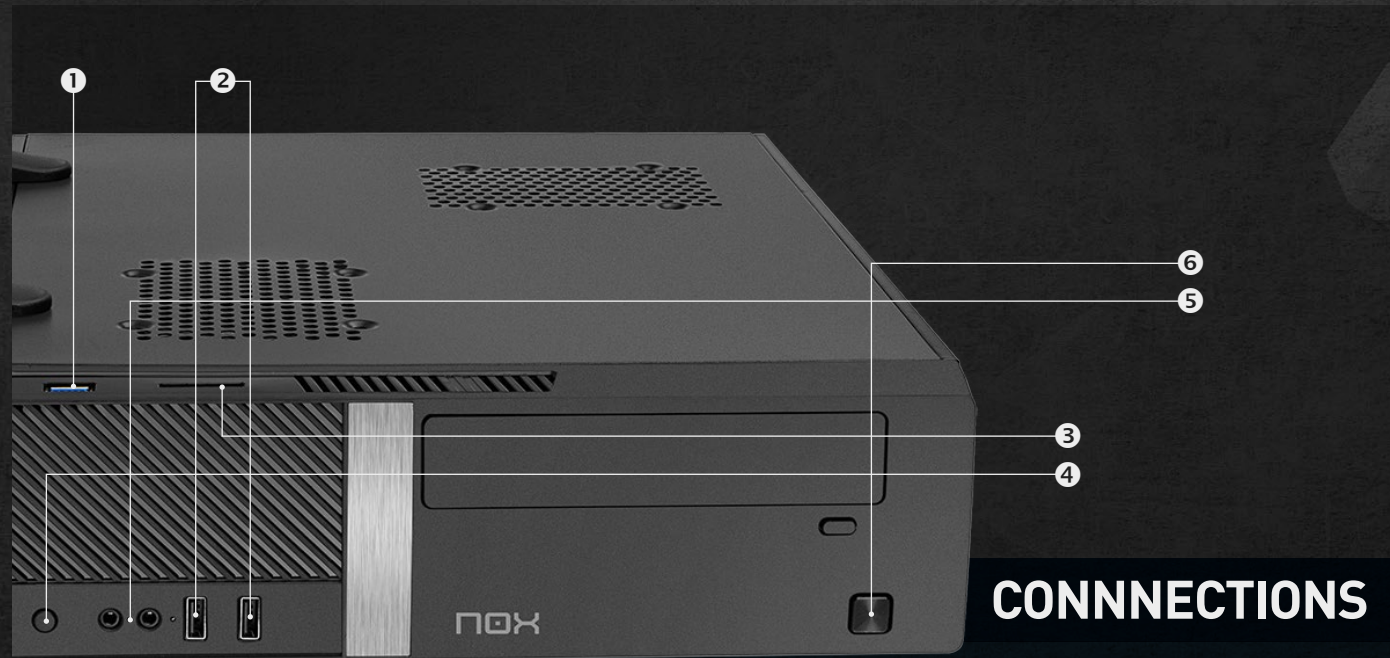
LITE050 is a compact chassis with multiple ventilation options and equipment compatibilities for home or professional use.

OUTER CHARACTERISTICS

Connections

INNER CHARACTERISTICS

SPECIFICATIONS



CONNECTIONS

01. USB 3.0

02. USB 2.0

03. Card Reader

04. Reboot Button

05. Audio Hub

06. On / Off Button

LITE050

500W SLIM TOWER CHASSIS

**COMPACT IN THE OUTSIDE,
VERSATILE IN THE INSIDE**

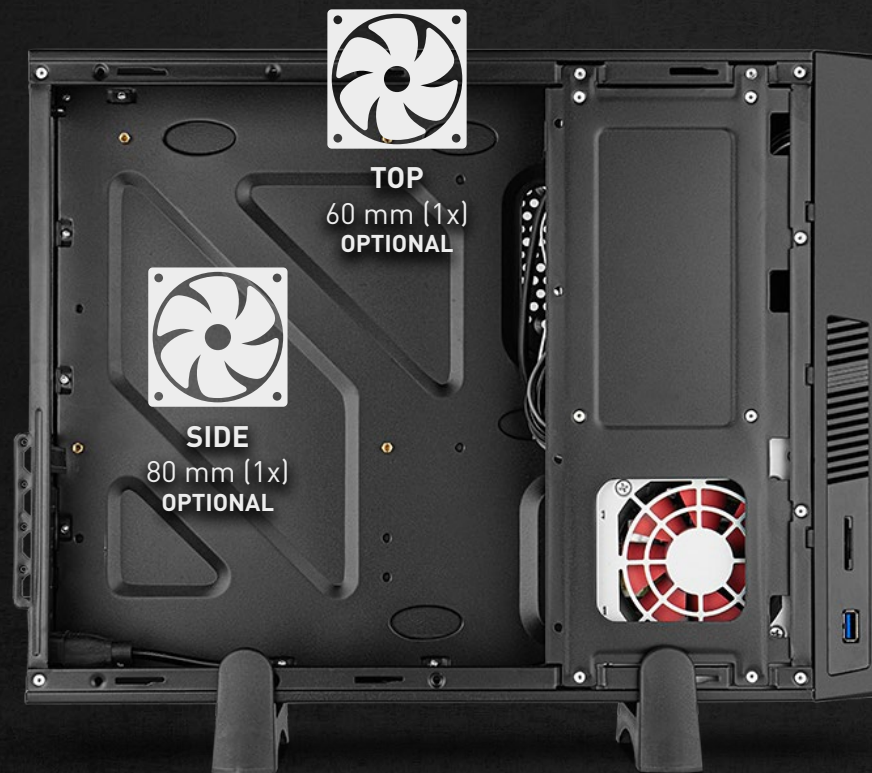
LITE050 is a compact chassis with multiple ventilation options and equipment compatibilities for home or professional use.

**OUTER
CHARACTERISTICS**

**INNER
CHARACTERISTICS**

Cooling System

SPECIFICATIONS



LITE050

500W SLIM TOWER CHASSIS

**COMPACT IN THE OUTSIDE,
VERSATILE IN THE INSIDE**

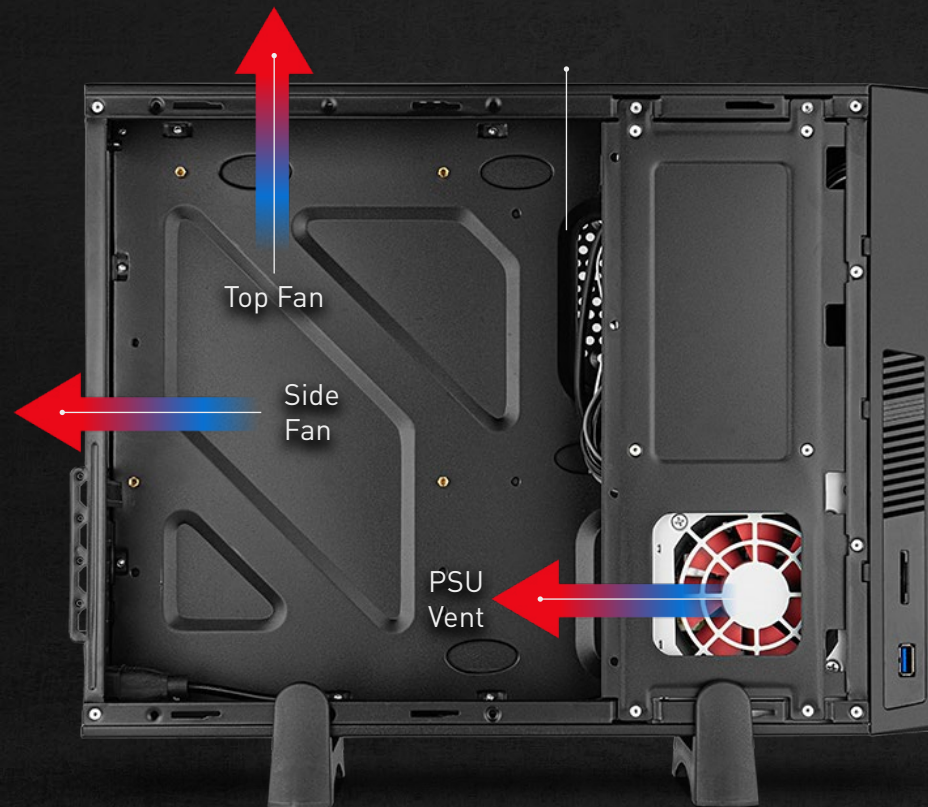
LITE050 is a compact chassis with multiple ventilation options and equipment compatibilities for home or professional use.

**OUTER
CHARACTERISTICS**

**INNER
CHARACTERISTICS**

Airflow

SPECIFICATIONS



LITE050

500W SLIM TOWER CHASSIS

**COMPACT IN THE OUTSIDE,
VERSATILE IN THE INSIDE**

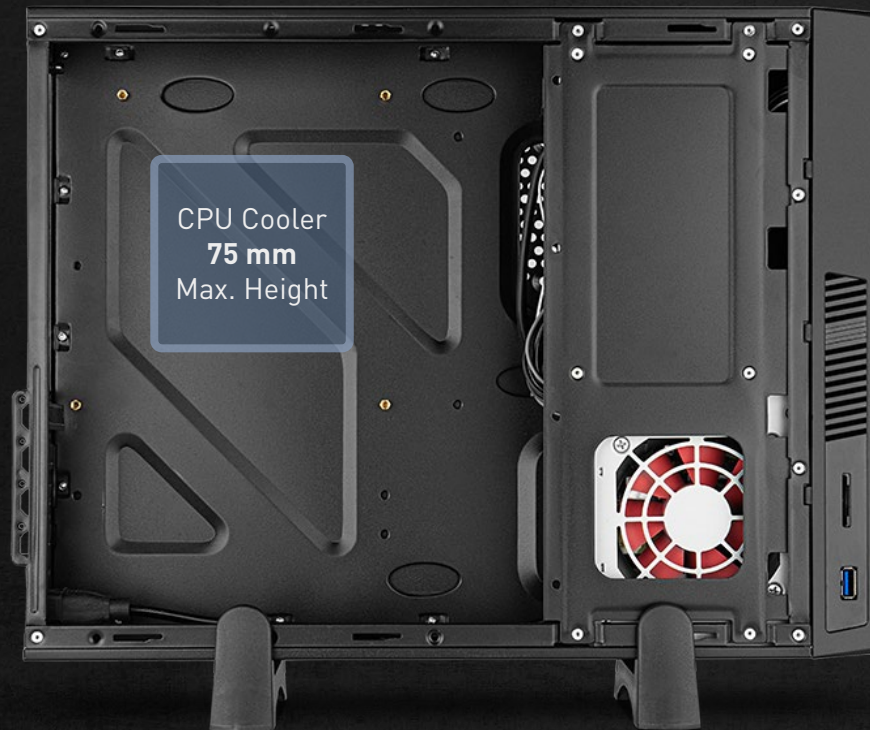
LITE050 is a compact chassis with multiple ventilation options and equipment compatibilities for home or professional use.

**OUTER
CHARACTERISTICS**

**INNER
CHARACTERISTICS**

Internal Space

SPECIFICATIONS



LITE050

500W SLIM TOWER CHASSIS

**OUTER
CHARACTERISTICS**

**INNER
CHARACTERISTICS**

**Storage
SPECIFICATIONS**

**COMPACT IN THE OUTSIDE,
VERSATILE IN THE INSIDE**

LITE050 is a compact chassis with multiple ventilation options and equipment compatibilities for home or professional use.



LITE050

500W SLIM TOWER CHASSIS

**COMPACT IN THE OUTSIDE,
VERSATILE IN THE INSIDE**

LITE050 is a compact chassis with multiple ventilation options and equipment compatibilities for home or professional use.

OUTER CHARACTERISTICS

INNER CHARACTERISTICS

SPECIFICATIONS Specifications Table

EXTRAS

- Power supply included
- High speed USB 3.0
- Card reader included
- Audio hub included

CHASSIS TYPE SIZE Slim tower

MOTHERBOARD FORM FACTOR Micro ATX • ITX

EXTERNAL DRIVE BAYS 1x 5.25"

INTERNAL DRIVE BAYS 1x 3.5" / 1x 2.5"

COOLING SYSTEM

- Top: 1x 60 mm (optional)
 - Side: 1x 80 mm (optional)
-

EXPANSION SLOTS 4

MATERIAL

- ABS plastic
 - SPCC 0.5 mm steel chassis
-

COLOR Black

CONNECTIONS 1x USB 3.0 • 2x USB 2.0
HD Audio Hub • 1x card reader

DIMENSIONS 370(D) x 86(W) x 310(H)

WEIGHT (WITHOUT PSU) 2,40 Kg

WEIGHT (WITH PSU) 2,80 Kg

POWER SUPPLY

- 500W
 - M-ATX
 - CONNECTORS:
 - 2x SATA
 - 2x Molex 4pin
 - 1x ATX 20+4 pin
 - 1x CPU 4 pin
-

PN: NXLITE050 • **EAN:** 8436587971013