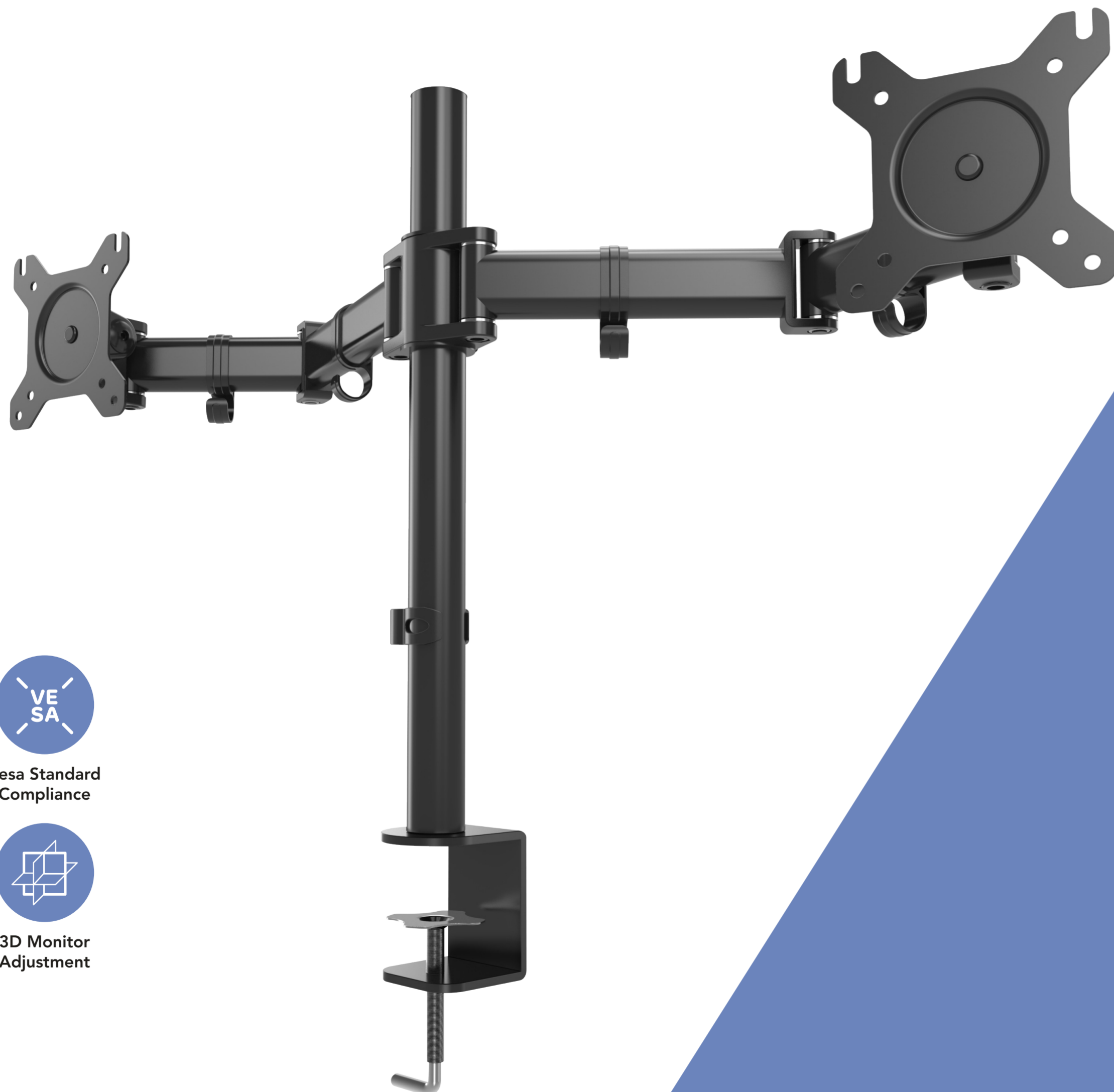


nox

DUALSTAND

 DUAL STAND FOR 13" TO 27" MONITORS



Cable Management



Articulated Arm



Secure Desk Clamp



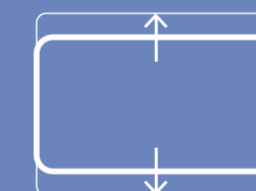
Vesa Standard Compliance



3D Monitor Adjustment

SPECS

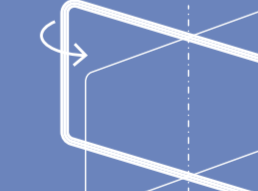
Description	Dual monitor mounting desk system support with articulated arms and 3D adjustment
Supported Screen Size	13" ~ 27"
Supported VESA standards	75x75 / 100x100
Maximum supported weight	8KG (On each arm)
Tilt	-90° / +35°
Rotation	360°
Swivel	180°
Height adjustable	400mm (Max)
Length adjustable	394mm (Max)
Package contents	Double monitor desk mount, screws and user guide



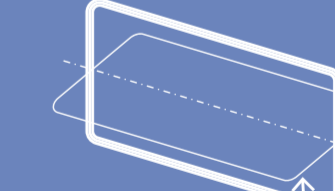
HEIGHT ADJUSTMENT



ROTATION ADJUSTMENT



SWIVEL ADJUSTMENT



TILT ADJUSTMENT

POWERED BY
nox
www.nox-xtreme.com

PN
NXLITEDSTAND

EAN
8436587972508

nox-xtreme.com