

01 Accessories screw box

- 1 USB cover*1
- 2 Sealing cap
- 3 PSU screws *4
- 4 HDD screw*16
- 5 Motherboard screws*17
- 6 Cable ties*8
- 7 Motherboard stand*3
- 8 Copper pillar sleeve*1
- 9 Velcro*8
- 10 Opener
- 11 Snap buckle*2

02 Cable connector diagram

USB 3.0 installation

Plug F-PANEL into motherboard labeled HDD LED, HLED, IED LED, PWR LED RST SW, RST, PWP SW PWR BTW

HD Audio installation

03 I/O Introduction

TYPE-C HD AUDIO
USB3.0 RESET SW POWER SW

HUMMER GLOCK

FRAMELESS GLASS MID TOWER

USER MANUAL **NOX**

05 Chassis disassembly and installation

Open the front panel from the top.

Open the top cover and side panels from the back.

Unscrew the hard drive bracket screws and take out the hard drive bracket.

Motherboard hard drive rack.

Bottom hard drive rack.

Change the position of USB cover

Remove USB cover

Use a detacher to remove the USB cover

Bottom USB cover (install the I/O at bottom)

Top USB cover (install the I/O on top)

06 Motherboard installation

Adjusting the position of motherboard stand according to the motherboard model. Put the motherboard into the chassis and fix it with screws.

08 3.5" HDD or 2.5" SSD installation on motherboard

Put 3.5" HDD or 2.5" SSD into the bracket and fix it with screws.

Put bracket to chassis and fix it with screws.

10 I/O Installation

Bottom I/O installation position

Top I/O installation position

Unscrew the screw

07 Power supply installation

Put the power supply into the power supply compartment and secure the power supply with the power supply screws from the rear panel.

09 3.5" HDD or 2.5" SSD and fan installation on bottom

Put 3.5" HDD or 2.5" SSD into the bracket and fix it with screws.

Then, put 1*120mm fan onto the bracket and fix it with screws.

Put bracket to chassis and fix it with screws.

I/O on left side

I/O on front panel

I/O on top cover

Bottom I/O installation position exchange.

Put installed I/O into top panel and fix it with screws.

11 Fan Installation position on motherboard bracket

Support 3*120mm fans on the motherboard bracket.

Put the fan into the motherboard bracket and fix it with screws.

12 Fan Installation position on rear

Support 1*120/140mm fans on rear.

Put the fan into rear and fix it with screws.

13 Fan Installation position on top

Support 3*120/2*140mm fans on top.

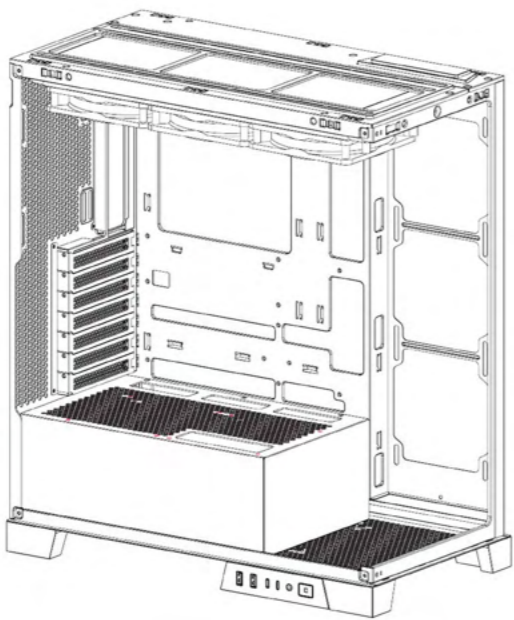
Unscrew and take out the fan bracket.

Put the fan into fan bracket and fix it with screws from top.

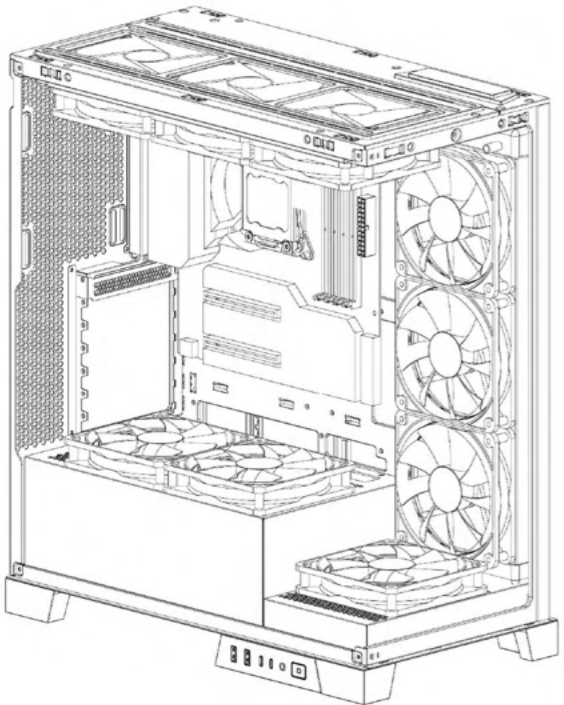
Put the fan bracket into chassis and fix it with screws.

14 Fan installation position on power box

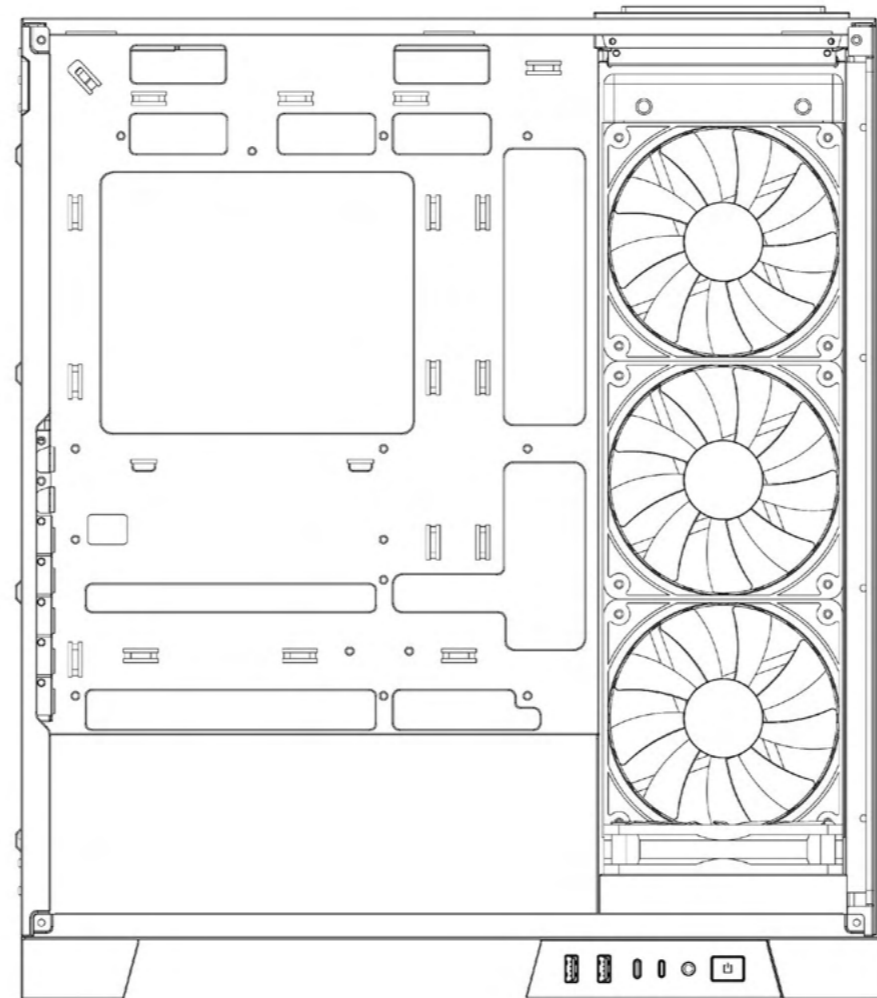
Support 2*120mm fans on power box.



Put the fan into power box and fix it with screws.

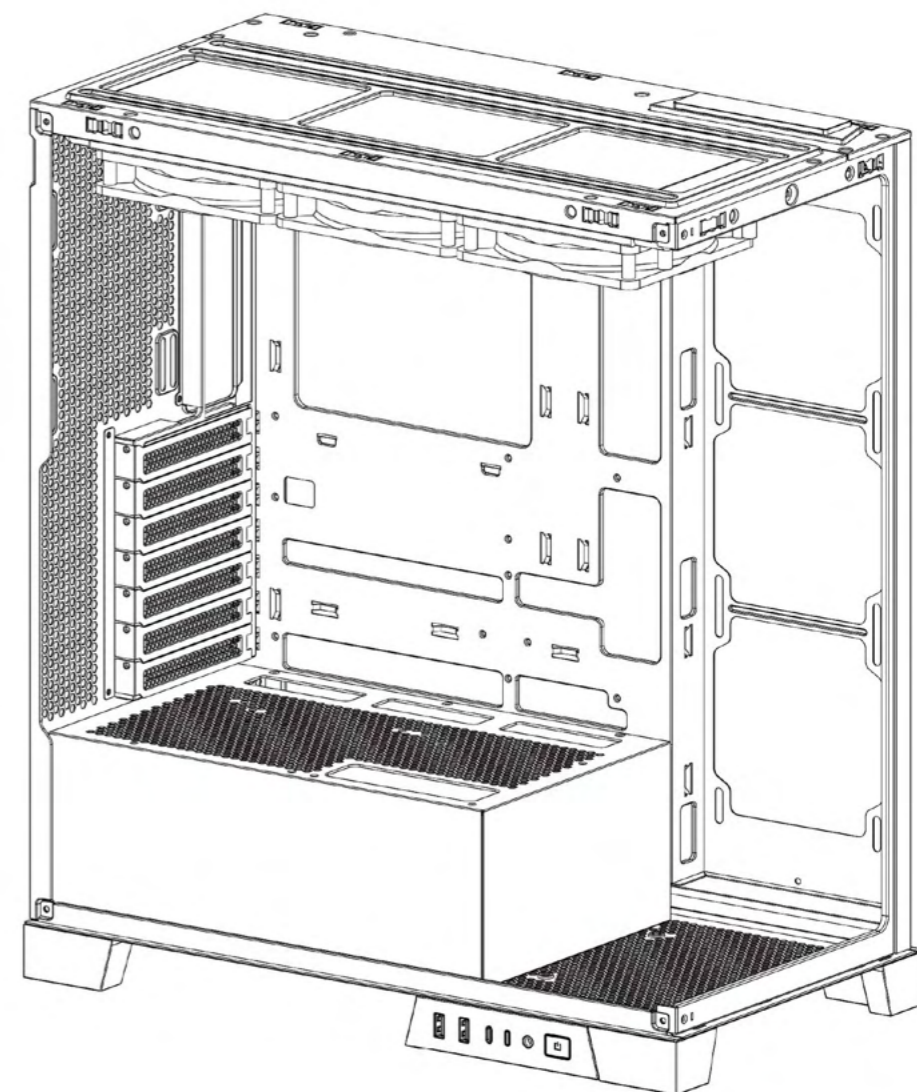


15 Liquid Cooler installation position on motherboard bracket



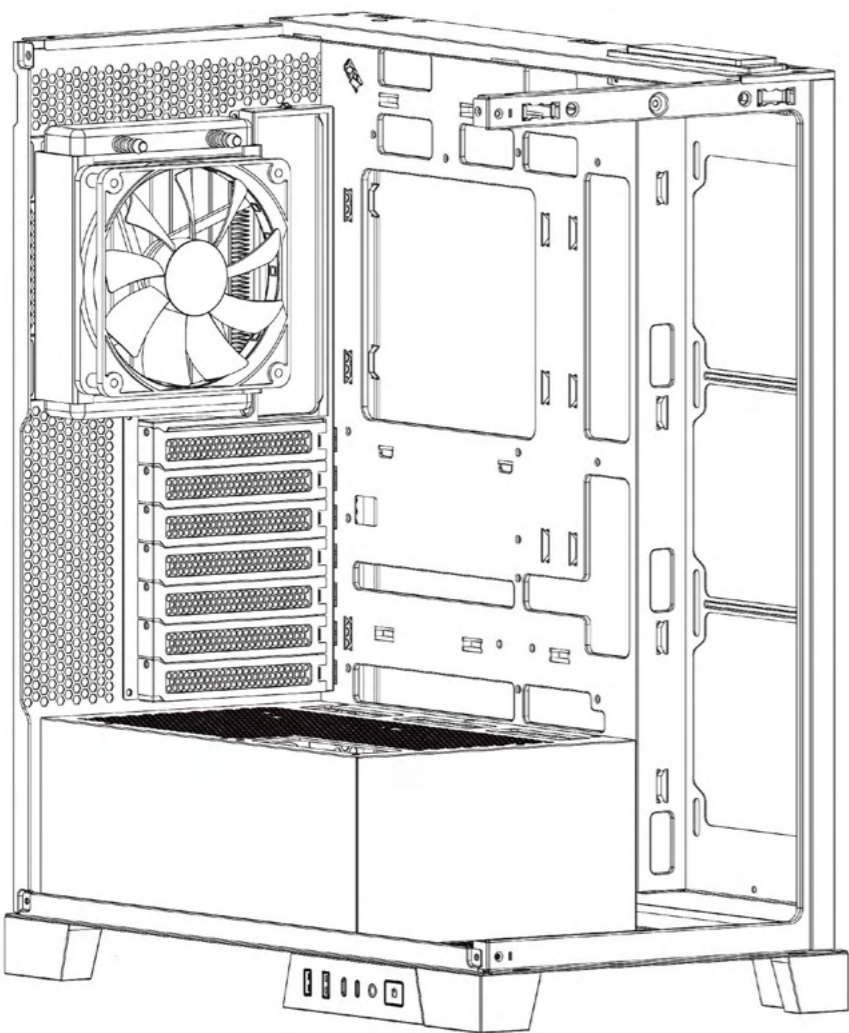
Support 120/240/360mm liquid cooler(Long VGA,cooler thickness less than 52mm, I/O at top, 360mm cooler length less than 400mm).
Put Liquid Cooler into the motherboard bracket and fix it with screws.

16 Liquid cooler installation position on top



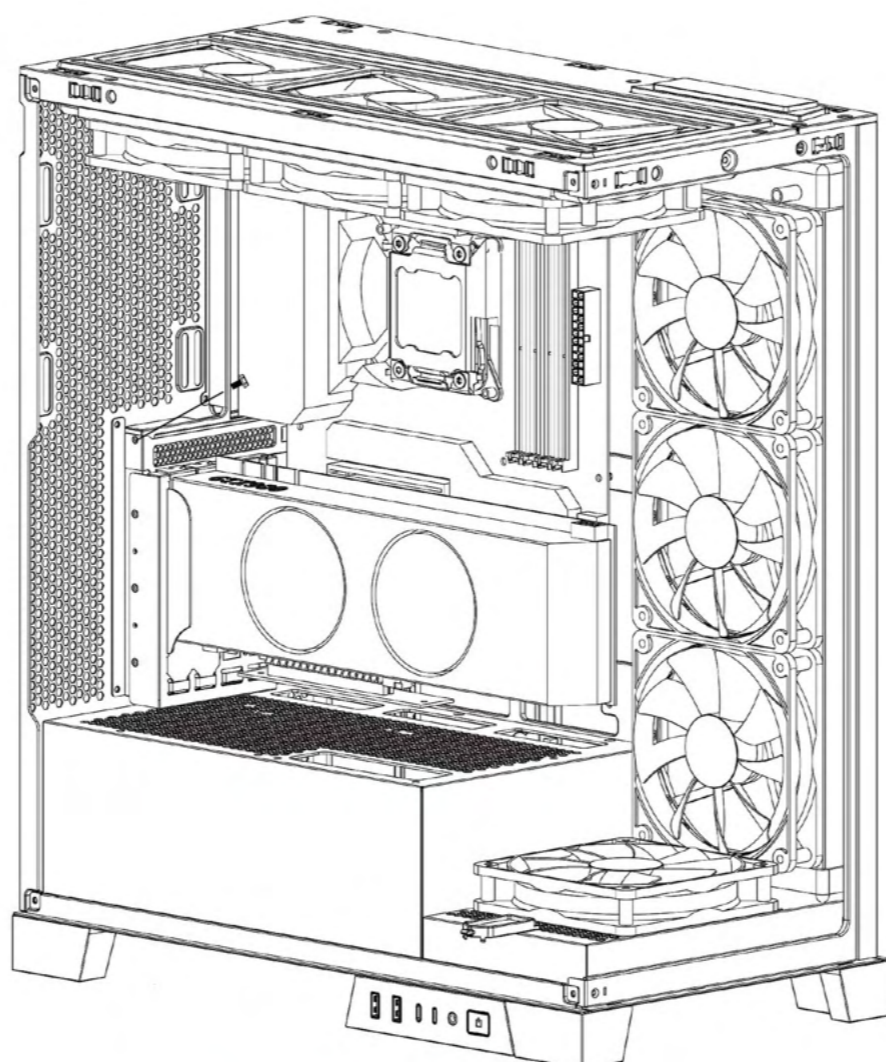
Support 120/240/280/360mm liquid cooler
Put Liquid Cooler into the top and fix it with screws.

17 Liquid cooler installation position on rear



Support 120/140mm liquid cooler
Put Liquid Cooler into the rear and fix it with screws.

18 Graphic card installation



Remove the corresponding PCI card slot,
put the graphics card into the hole, and fix it with screws.

19

EN

STATEMENT OF COMPLIANCE WITH EUROPEAN UNION DIRECTIVES

Nox declares that this product is in compliance with the essential requirements and other relevant provisions from the following Directives: 2014/30/EU; 2014/35/EU; 2011/65/EU, as applicable. The technical documentation required by the Conformity Evaluation process is in Nox' s possession and can be requested through info@nox-xtreme.com.

DISPOSAL OF BATTERIES AND ELECTRICAL OR ELECTRONIC EQUIPMENT WASTE

The existence of this symbol on the product, batteries or respective packaging, signifies that this product and the contained batteries can not be disposed as domestic waste. It is the user' s responsibility to deliver this product at a batteries, electrical or electronic recycling pick-up point. The pick-up and separate recycling contributes for the preservation of natural resources and suppresses potential negative consequences for the human health and the environment resultant of inadequate disposal of dangerous substances contained in batteries and electrical or electronic equipment. For additional information regarding batteries, electrical or electronic recycling pick-up points, please contact your local municipal services.

PT

DECLARAÇÃO DE CONFORMIDADE COM DIRECTIVAS DA UNIÃO EUROPEIA

A Nox declara que este produto está em conformidade com os requisitos essenciais e outras disposições relevantes das Directivas: 2014/30/EU; 2014/35/EU; 2011/65/EU, conforme aplicável. A documentação técnica exigida pelo processo de Avaliação de Conformidade encontra-se na posse da Nox e poderá ser solicitada através de info@nox-xtreme.com.

ELIMINACIÓN DE RESÍDUOS DE PILAS Y DE EQUIPAMIENTO ELÉCTRICO E ELECTRÓNICO

A existência deste símbolo no produto, nas pilhas ou nas respectivas embalagens significa que este produto e as pilhas nele contidas não podem ser eliminados juntamente com os resíduos domésticos. É da responsabilidade do utilizador entregar este produto num ponto de recolha aplicável à reciclagem de pilhas e de equipamento eléctrico e electrónico. Esta recolha e reciclagem separada contribui para a conservação dos recursos naturais e suprime potenciais consequências negativas para a saúde humana e para o ambiente resultantes de uma eliminação inadequada de substâncias perigosas existentes nas pilhas e no equipamento eléctrico e electrónico. Para mais informações sobre os pontos de recolha de pilhas e resíduos eléctricos e electrónicos contacte os serviços municipais locais.

ES

DECLARACIÓN DE CUMPLIMIENTO DE LAS DIRECTIVAS DE LA UNIÓN EUROPEA

Nox declara que este producto cumple con los requisitos esenciales y otras disposiciones pertinentes de las siguientes Directivas: 2014/30/EU; 2014/35/EU; 2011/65/EU, según corresponda. La documentación técnica requerida por el proceso de Evaluación de la Conformidad está en poder de Nox y se puede solicitar a través de info@nox-xtreme.com.

DESECHADO DE PILAS Y RESIDUOS DE EQUIPOS ELÉCTRICOS O ELECTRÓNICOS

La existencia de este símbolo en el producto, en las baterías o en el embalaje respectivo, significa que este producto y las baterías contenidas no pueden eliminarse como residuo doméstico. Es responsabilidad del usuario entregar este producto en un punto de recolección de baterías, recambios eléctricos o electrónicos. La recolección y el reciclaje separado contribuyen a la conservación de los recursos naturales y suprimen las posibles consecuencias negativas para la salud humana y el medio ambiente resultantes de la eliminación inadecuada de las sustancias peligrosas contenidas en las baterías y en los equipos eléctricos o electrónicos. Para obtener información adicional sobre baterías, puntos de recolección de reciclaje eléctricos o electrónicos, comuníquese con los servicios municipales locales.

NOX

www.nox-xtreme.com